

DeviceMaster® RTS

4-Port DB9/RJ45

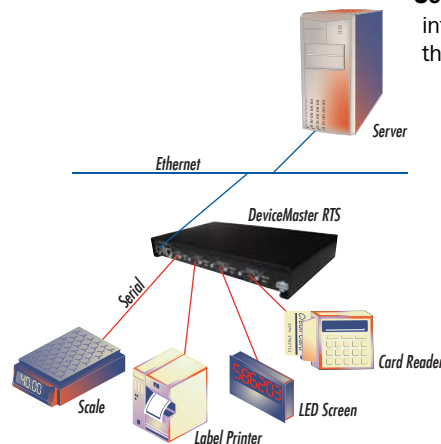
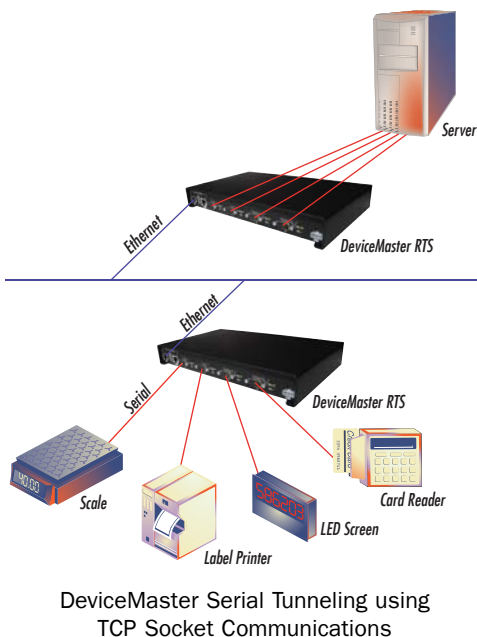


Part number
994466

The Control DeviceMaster RTS 4-Port DB9/RJ45 is a four-port device server designed for network-enabling serial communications devices. When used with the included NS-Link™ driver software and a host PC, the DeviceMaster RTS enables placement of COM or TTY ports anywhere on an Ethernet network or across the Internet. In applications where connecting legacy serial devices to a PC without software changes is a requirement, a pair of DeviceMaster RTS units can be used to create a point-to-point serial tunnel across the network that seamlessly transfers serial data via TCP or UDP socket connections.

Highlights

- **RoHS Directive 2002/95/EC compliant**
- **No serial cable distance limitations**—enables communication between a host PC and serial devices located anywhere across an Ethernet network
- **Software selectable**—RS-232, RS-422, or RS-485 serial interfaces simplify setup and eliminate mechanical tampering associated with DIP switch products
- **Application compatibility**—supports native COM, TTY, or TCP/IP Socket communication modes
- **Web-based configuration**—makes setup and management changes quick and easy
- **Real-time e-mail event notification**—alerts administrator of potential connection and security issues
- **Built-in two-port 10/100 Ethernet switch**—simplifies network connection
- **Rugged metal housing**—enables panel and optional rack mounting
- **Temperature rated for extreme conditions**—operating temperature of -37° to 74°C enables DeviceMaster to function in a wide variety of harsh environments
- **PortVision® remote monitoring and management software**—automatically locates DeviceMasters on the network, enabling user to view status, update firmware, and resolve issues remotely
- **Software developer kit**—available for users interested in writing custom applications to run on the DeviceMaster platform



Specifications

HARDWARE

Processor	ARM7 44Mhz
8MB RAM	
4MB Flash (Programmable)	
(2) 10/100 Base-T Ethernet	
Black Finished Steel Enclosure	
Product Weight	3.44 Lbs
Packaged Shipping Weight	7.48 Lbs
Panel/Rack Mountable	
LED Indicators	
Status	
Ethernet Link/Activity	
Collision	
100MB Ethernet	
RX/TX Per Port	
Surge Protection	15KV

ELECTRICAL SPECIFICATIONS

Device Requirements	9 to 30 VDC
Device Consumption	4.8 Watts
External Power Supply	(Included)
Input	90 to 260 VAC @ 60Hz
Output	200mA @ 24 VDC

ENVIRONMENTAL SPECIFICATIONS

Ambient Operating Temperature	-37 to 74°C
Storage Temperature	-40 to 85°C
Humidity (Non-Condensing)	System On: 20% to 80% System Off: 8% to 80%
Altitude	0 to 10,000 Ft
Heat Output	16.4 BTU/Hr
MTBF	25.0 Years

DEVICE DRIVERS

Microsoft Windows NT®, Microsoft Windows 2000®,
Microsoft Windows Server 2003®,
Microsoft Windows XP®, Linux



SERIAL COMMUNICATIONS

Software-Selectable	RS-232/422/485
Baud Rates	50 to 230 Kbps
Serial Connectors	(4) DB9/RJ45 Adapters
Data Bits	7 or 8
Parity	Odd, Even, None
Stop Bits	1 or 2

FEATURES

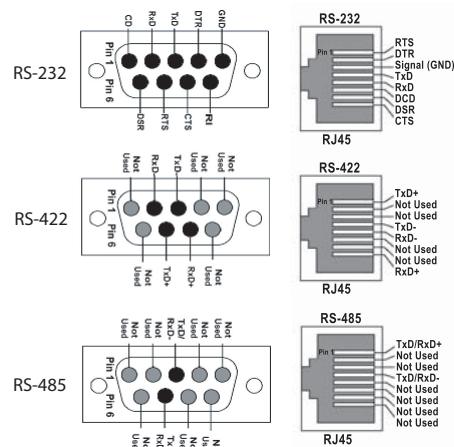
Lowest Latency
NS-Link COM/TTY Port Redirector
PortVision Remote Management
TCP/IP & UDP Socket Services
Real-Time Clock
Telnet
HTTP
SNMP
DHCP / RARP / ARP / BOOTP / Ping
Hardware & Software Flow Control
Watchdog Reset
Event Notification
RFC 1006

REGULATORY APPROVAL MARKS

CE Mark, FCC Part 15 Subpart B Class A, C-Tick, CUL,
RoHS 2002/95/EC

REGULATORY STANDARDS

Immunity: EN55024, EN61000-4-2, EN61000-4-3,
EN61000-4-4, EN61000-4-5, EN61000-4-6,
EN61000-4-8, EN61000-4-11, IEC 1000-4-2,
IEC 1000-4-3, IEC 1000-4-4, IEC 1000-4-5,
IEC 1000-4-6, IEC 1000-4-8, IEC 1000-4-11
Emission: EN55022 & A1:2000 IEC 1000-3-2,
IEC 1000-3-3, CISPR-22, ICES-003
Safety: EN60950, IEC 60950,
CSA C22.2 No. 50/UL60950



Serial Pin Assignments



DeviceMaster RTS 4-Port Dimensions

Product Support & Service Information

Warranty Information

Control offers a 30-day satisfaction guarantee and 2-year limited warranty on all DeviceMaster RTS products.

Sales Support

+1.763.494.4100
sales@comtrol.com

Technical Support

+1.763.494.4100
<http://www.comtrol.com/support>

Email, FTP, and Web Support

www.comtrol.com
ftp.comtrol.com
info@comtrol.com

Corporate Office
6655 Wedgwood Road
Minneapolis, MN 55311 USA
US: 800.926.6876
P: +1.763.494.4100
F: +1.763.494.4199



LT1255A