

# VESR9xx

## Vlinx™ Industrial MEI Ethernet Serial Servers

PRODUCT INFORMATION

- ✓ Ethernet Enable Serial Devices
- ✓ Direct IP, Virtual COM Port, or Paired Mode
- ✓ Ethernet Pass-through Port Available
- ✓ Ethernet Fiber Options
- ✓ Serial MEI Ports

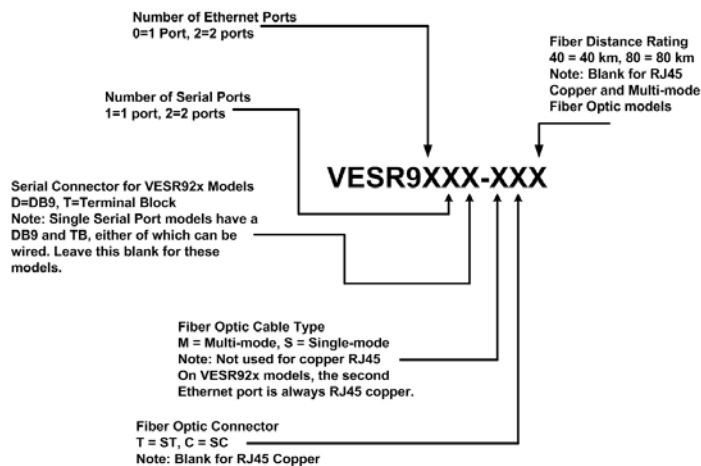


Take control of your serial devices with VLINX™ VESR 9xx Industrial Ethernet Serial Servers. If it has a Serial Port, it can be monitored and controlled from anywhere on your Ethernet LAN or WAN. Keep it at maximum productivity without leaving your office. Even troubleshoot it from outside your LAN via the Internet. The easy to use Vlinx™ Manager software puts access to your whole shop on your desk. Configure devices, upgrade firmware and monitor activity. Configuration changes can also be made using a web browser or TELNET.

Multiple fiber optic options make integration into any existing network quick. No need to purchase an extra media converter when you can choose from Multi-mode SC / ST, 15km Single-mode SC/ST, 40 km Single-mode SC/ST, or 80 km Single-mode SC/ST.

VESR92x series servers also feature an additional copper RJ45 port that allows you to connect another Ethernet device or PC work-station. This Pass-through port functions much like an unmanaged switch.

Heartbeat connectivity keeps the serial server on-line. If connectivity is lost it will attempt to reconnect every five seconds until a connection is regained. A manual reboot is not required when communications are restored.



B&B ELECTRONICS

### Ordering Information

Vlinx Serial Server	See Chart Above
<b>Accessory Items</b>	
MDR-40-24	DIN Rail Power Supply, 24VDC, 1.7A
DRPM25	Panel Mount Adapter

## Specifications

### Serial Technology

RS-232	TD, RD, RTS, CTS, DTR, DSR, DTD, GND
RS-485 2-Wire	Data A(-), Data B(+), GND
RS-422/485 4-Wire	TDA(-), TDB(+), RDA(-), RDB(+), GND
Serial Connector	DB9M or Removable Terminal Blocks
Data Rate	Up to 230.4 Kbps

### Fiber Optic Technology

#### VESR9xx-Mx

Type / Wavelength	Multi-mode / 1310 nm
Output Power	(-)19 to (-) 14 dBm
Receive Sensitivity	~ (-) 32 dBm
Cable	62.5 / 125 µm
Connector	SC or ST
Range	1.2 miles (2 km)

#### VESR9xx-Sx

Type / Wavelength	Single-mode / 1310 nm
Output Power	(-) 15 to (-) 8 dBm
Receive Sensitivity	~ (-) 32 dBm
Cable	9 / 125 µm
Connector	SC or ST
Range	9.3 miles (15 km)

#### VESR9xx-Sx40

Type / Wavelength	Single-mode / 1310 nm
Output Power	(-) 5 to 0 dBm
Receive Sensitivity	~ (-) 34 dBm
Cable	9 / 125 µm
Connector	SC or ST
Range	25 miles (40 km)

#### VESR9xx-Sx80

Type / Wavelength	Single-mode / 1510 nm
Output Power	(-) 5 to 0 dBm
Receive Sensitivity	~ (-) 34 dBm
Cable	9 / 125 µm
Connector	SC or ST
Range	49.7 miles (80 km)

### Power

Source	External
Input Voltage	10 to 48 VDC
Connector	Removable Terminal Block (12 – 28 AWG)

### Power Consumption

VESR90x	4.0 Watts
VESR92x	6.0 Watts

### Mechanical

LED Indicators	Serial Port, Ethernet Link, Ready
Switches	Reset Button
Dimensions	VESR90x-1.2x3.2x4.7in (3.0x8.1x11.9cm) VESR92x-1.2x4.0x5.9in (3.0x10.2x15.0cm)
Enclosure	35mm DIN mount, Plastic, IP 30
Weight	VESR90x – 0.33 lbs (149.7 g) VESR92x – 0.45 lbs (204.1 g)

### Environmental

Operating Temp	- 29 to 165 °F (- 34 to 74 °C)
Storage Temp	- 40 to 185 °F (-34 to 74 °C)
Operating Humidity	10 to 95% Non-condensing
MTBF VESR90x	~ 132309 hours
MTBF VESR92x	~ 102593 hours
MTBF Calc Method	Parts Count Reliability Prediction

### Network

Serial Memory	8 KB per port
Network Memory	4 KB
IP Port Addresses	5300 – Heartbeat and configuration Setting in TCP Mode (paired mode) 8888 – VESR 9xx Update

### Network Communications

LAN	10/100 Mbps Auto-detecting 10BaseT or 100BaseTX
-----	--

### Network Physical Layer Standards

Ethernet	IEEE 802.3 auto detecting & auto MDI/MDX 10BaseT and 100Base TX
----------	---

### Protocols

	TCP, IPv4, UDP, ARP, Telnet, HTTP 1.0, ICMP/PING, DHCP/BOOTP
IP Mode	Static, DHCP
TCP	User definable

### Other

Connection Mode	Server, Client, VCOM, Paired
Client Connection	At power up or upon data arrival
Search	Serial direct COM and Ethernet Auto Search or specific IP
Diagnostics	Display PC IP, ping, test VCOM, save test config (text readable)
Firmware Upgrade	Web GUI through Ethernet

### Software

Vlix Manager	Supports Windows 2000, 2003 Server, XP, and Vista
--------------	--

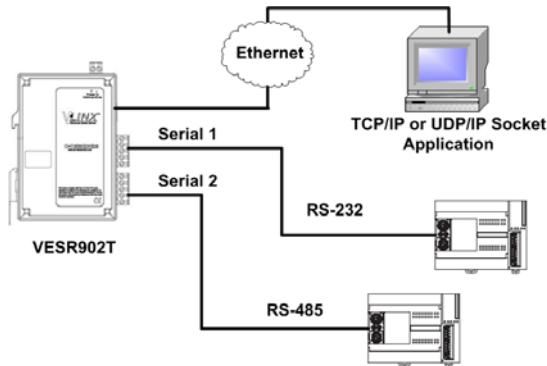
### Ethernet Pass-through Port (VESR92x)

Standards	IEEE 802.3, 802.3u, 802.3x
Processing Type	Store and Forward with 802.3x full duplex, non blocking flow control
Flow Control	IEEE 802.3x flow control, back pressure flow control
MAC Address Table	2K
	<b>Configuration Software</b>
OS Compatibility	Windows 2000, 2003 Server XP, Vista
	<b>Regulatory</b>
Compliance	FCC, CE

## Application Examples

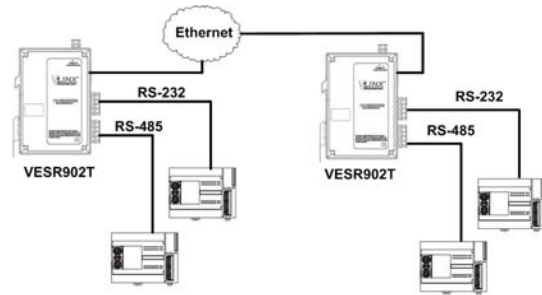
### Direct IP Mode

Allows TCP/IP or UDP/IP socket applications to communicate directly with serial devices



### Paired Mode

Allows serial devices to communicate with each other by tunneling through your network.



### Virtual COM Mode

Allows a PC to communicate with serial devices through your network as if they were connected to a physical COM port on the PC.

