



RocketPort®

32-Port Rackmount Interface



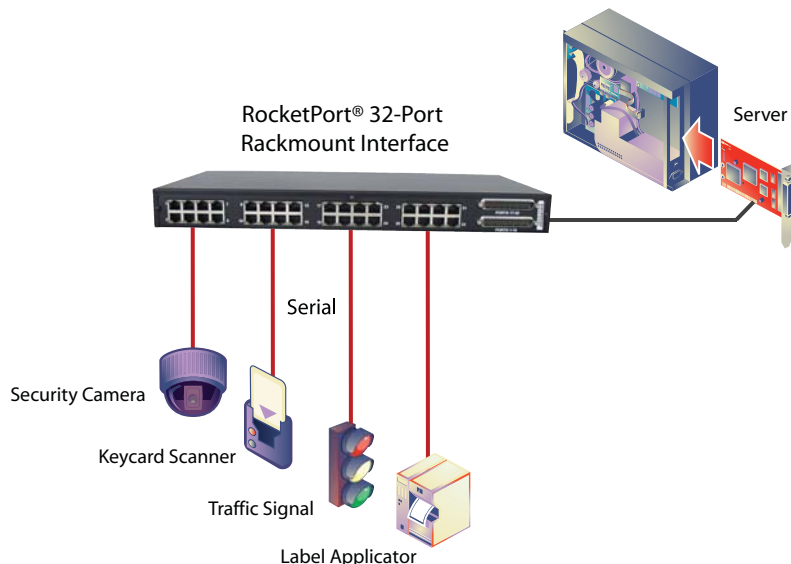
Part Number
30060-1

Flexible, reliable and high-speed multiport serial expansion

The next generation RocketPort 32-Port Rackmount Interface delivers 32 RJ45 connections that can be configured for RS-232, RS-422 or RS-485 serial communications and mounts in a standard 1U 19" IT equipment rack. This product is only suitable for use with the RocketPort INFINITY PCI-X and RocketPort EXPRESS PCIe products and is not compatible with previous RocketPort ISA, PCI, or uPCI products.

Highlights

- Compatible with RocketPort INFINITY and EXPRESS 32-Port Serial Controller cards
- Standard 1U 19" Rackmounting
- RS-232/422/485 Software-Selectable Ports
- Communications Speeds up to 460Kbps
- RoHS Compliant



Specifications

HARDWARE

- Enclosure Black Finished Steel
- Dimensions 16.75" x 1.75" x 8"
- Product Weight 110 oz

ELECTRICAL SPECIFICATIONS EMBEDDED

- Surge Protection 15KV @200A for 1ns

ENVIRONMENTAL SPECIFICATIONS

- Operating Temperature 0 to 60°C
- Storage Temperature -20 to 85°C
- Operating Humidity
Non-condensing 5% to 95%
- Altitude 0 to 10,000 Ft
- MTBF 34.2 Years

SERIAL COMMUNICATIONS

- Connector Type (32) RJ45F
- Software-Selectable RS-232/422/485
- Baud Rates 300 to 460.8Kbps

EXPORT INFORMATION

- Packaged Shipping Weight 89.92 oz
- Package Dimensions

DEVICE DRIVERS

(Determined by RocketPort Card)

- FreeBSD 5
- FreeBSD 6
- Linux
- Microsoft® Windows Server® 2003
- Microsoft® Windows Vista™
- Microsoft® Windows® 2000
- Microsoft® Windows® XP
- QNX® 6.X
- SCO OpenServer™ 5
- SCO OpenServer™ 6

REGULATORY APPROVAL MARKS

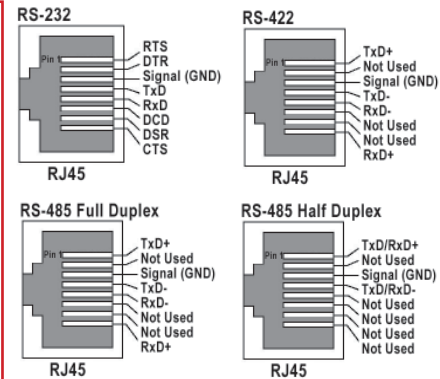
- RoHS 2002/95/EC
- CE
- FCC
- UL/cUL
- C-Tick

REGULATORY STANDARDS

- Emission:
Canadian EMC Requirements ICES-003
European Standard EN55022
FCC Part 15 Subpart B
Class A Limit
AS/NZS CISPR 22
- Immunity:
European Standard EN55024
IEC 1000-4-2/EN61000-4-2: ESD
IEC 1000-4-3/EN61000-4-3: RF
IEC 1000-4-4/EN61000-4-4: Fast Transient
IEC 1000-4-5/EN61000-4-5: Surge
IEC 1000-4-6/EN61000-4-6: Conducted Disturbance
IEC 1000-4-8/EN61000-4-8: Magnetic Field
IEC 1000-4-11/EN61000-4-11: Dips and Voltage
- Safety:
IEC 60950/EN60950
CSA C22.2 No. 60950/UL60950 Third Edition
- European Standard: 2002/95/EC Directive (RoHS)

FEATURES

- RoHS Compliant
- Easy Set-up
- Rackmount Form Factor
- 5-Year Warranty



Software Selectable RJ45 Serial Ports

Ordering Information

- 30060-1 RocketPort 32-Port Rackmount Interface
- 30138-7 RocketPort EXPRESS 32-Port Card
- 30010-6 RocketPort INFINITY 32-Port Card

Product Support & Service Information

Warranty Information

Control offers a 30-day satisfaction guarantee and 5-year limited warranty on all RocketPort products.

Sales Support

+1.763.494.4100
sales@comtrol.com

Technical Support

+1.763.494.4100
www.comtrol.com/support

Email, FTP, and Web Support

info@comtrol.com
ftp.comtrol.com
www.comtrol.com

